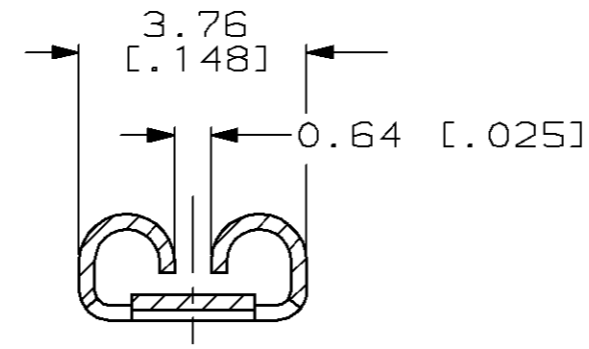
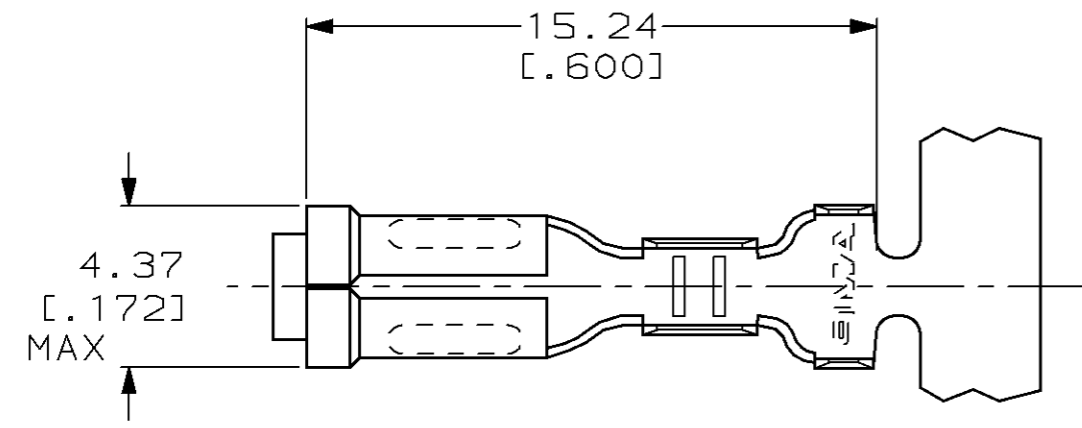


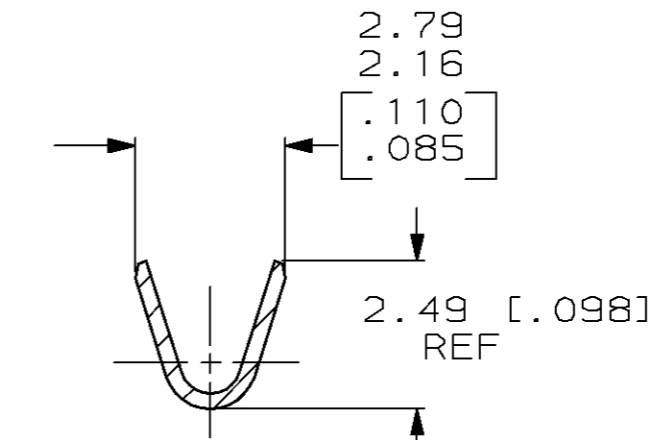
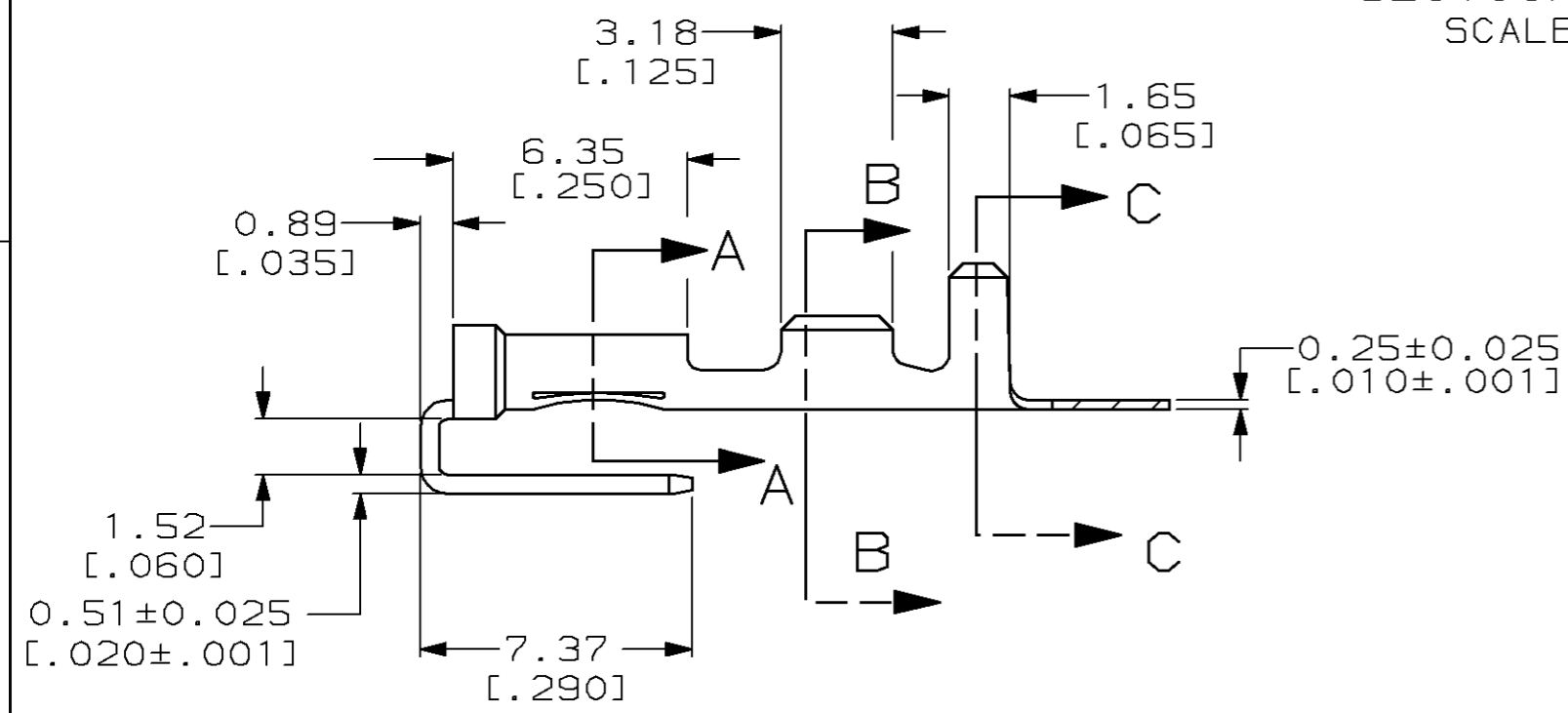
THIS DRAWING IS UNPUBLISHED. RELEASED FOR PUBLICATION, 19 .  
 © COPYRIGHT 19 BY AMP INCORPORATED. ALL RIGHTS RESERVED.

LOC	DIST	REVISIONS			
P	LTR	DESCRIPTION	DATE	DWN	APVD
AF	50	A	RELEASED PER 0G1A-0189-98	7/20/98	JR JG

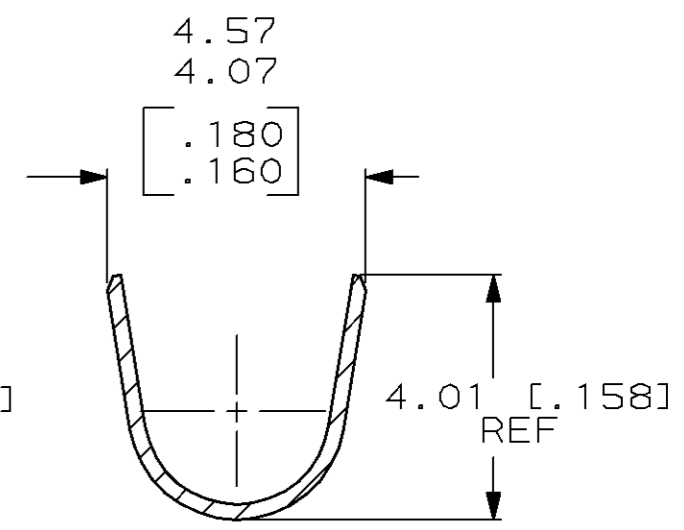
- CONTINUOUS STRIP ON REELS.
- MATING TAB THK IS 0.508±0.025 OR 0.457±0.025 [.020±.001 OR .018±.001].
- WIRE SIZE IS [#22-#18] AWG.
- INSULATION RANGE IS 2.03-3.05 [.080-.120] DIA.



SECTION A-A  
SCALE 8:1



SECTION B-B  
SCALE 8:1



SECTION C-C  
SCALE 8:1

1217083-1  
PART NO.

THIS DRAWING IS A CONTROLLED DOCUMENT.		DWN JR RUTH 4/22/98	<b>AMP</b> AMP Incorporated Harrisburg, PA 17105-3608			
DIMENSIONS: MM [INCHES]		CHK MS FEHER 4/22/98				
TOLERANCES UNLESS OTHERWISE SPECIFIED:		APVD J GILLESPIE 4/22/98	NAME RECEPTACLE, FASTON, PIGGYBACK, 2.79 [.110] SERIES			
0 PLC ±-		PRODUCT SPEC	SIZE	CAGE CODE	DRAWING NO	RESTRICTED TO
1 PLC ±-		-	A3	00779	C-1217083	-
2 PLC ±0.25 [.010]		APPLICATION SPEC	SCALE 5:1		SHEET 1 OF 1	REV A
3 PLC ±-		-	CUSTOMER DRAWING			
4 PLC ±-		WEIGHT	-			
ANGLES ±-		FINISH	-			
MATERIAL H04 PREMILLED BRASS						